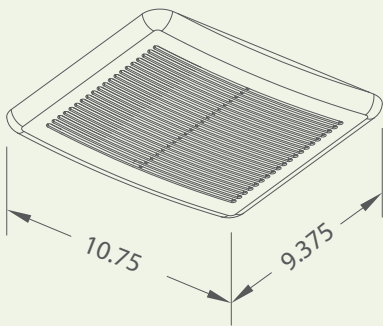
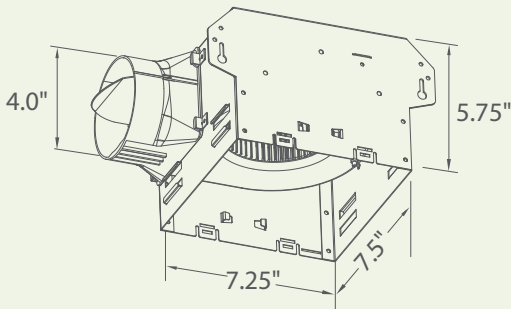


Delta BreezIntegrity Specifications

ITG80
(80 CFM)

Dimensions



Description

Low noise ceiling mount ventilating fan with low profile, rated for continuous running. Fan has been awarded ENERGY STAR®. It is HVI, UL, and cUL certified, and can be used to comply with ASHRAE 62.2 (local and whole building continuous and intermittent operation).

Motor/Blower

- Power Rating of 120 Volts/60Hz
- DC Brushless motor engineered to run continuously
- Motor equipped with thermal cutoff fuse
- Removable with permanently lubricated plug-in motor

Housing

- Galvanized steel body
- Detachable 4" diameter plastic duct adapter
- Built-in backdraft damper
- Easy installation

Grille

- Attractive design using ABS material
- Attaches directly to housing with torsion springs

Warranty

- 3-year limited warranty

Features

- For ceiling mount only, airflow of 80CFM(±10%) and 1.3 Sones at 0.1 static pressure
- Power consumption approximately 10 Watts with an efficiency rating approximately 8.4 CFM/Watt at 0.1 static pressure
- Duct diameter no less than 4"
- UL and cUL listed for tub/shower enclosure when used with GFCI-protected branch circuit wiring

DC Motor Technology

- Built in soft start function to increase bearings life
- Automatically powers OFF when impeller is locked abnormally

Specifications

| ITG80 | 4" Duct (Standard) | |
|--|--------------------|------|
| Static Pressure (Inches w.g.) | 0.1 | 0.25 |
| Air Flow (CFM) | 80 | 60 |
| Sones | 1.3 | 1.4 |
| Power Consumption (Watts) | 10 | 12 |
| Energy Efficiency (CFM/Watt) | 8.4 | 6.6 |
| Current (Amps) | 0.20 Max | |
| Power Rating (V/Hz) | 120 / 60 | |
| Project Pack Components Available ITG-A (housing) and ITG80-B (motor grille) | | |

Fan Curve

